

**MAX**®

***SuperRoofer***®

**CN445R2(CE)**

PNEUMATIC ROOFING COIL NAILER

**OPERATING AND MAINTENANCE MANUAL**



AUGUST 2012



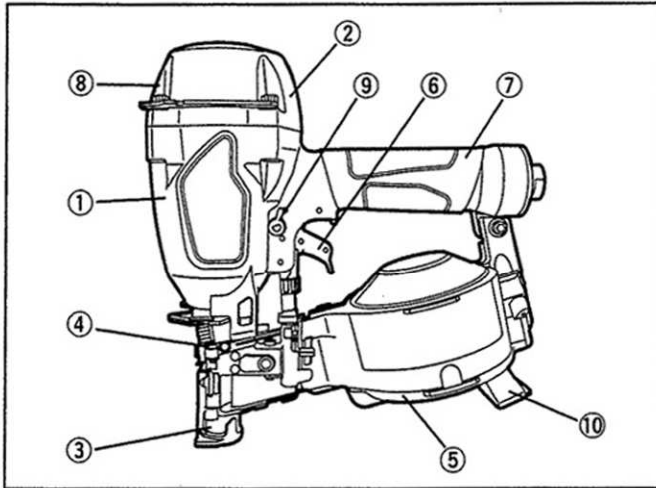
**WARNING**

BEFORE USING THIS TOOL, STUDY THIS MANUAL TO ENSURE SAFETY WARNING AND INSTRUCTIONS. KEEP THESE INSTRUCTIONS WITH THE TOOL FOR FUTURE REFERENCE.



## 2. SPECIFICATIONS AND TECHNICAL DATA

### 1. NAME OF PARTS



- ① Frame
- ② Cylinder Cap
- ③ Contact Arm
- ④ Nose
- ⑤ Magazine
- ⑥ Trigger
- ⑦ Grip
- ⑧ Exhaust Port
- ⑨ Trigger Lock Dial
- ⑩ Shingle gauge

### 2. TOOL SPECIFICATIONS

HEIGHT	10-5/8" (271 mm)
WIDTH	4-5/8" (116 mm)
LENGTH	12-3/8" (313 mm)
WEIGHT	5.5 lbs. (2.4 kg)
RECOMMENDED OPERATING PRESSURE	70 to 100 p.s.i. (5 to 7 bar)
LOADING CAPACITY	120 Nails
AIR CONSUMPTION	1.30 ℓ at 90 p.s.i. (6 bar) operating pressure

### 3. FASTENER SPECIFICATIONS

NAIL LENGTH	3/4" to 1-3/4" (19 to 45 mm)
SHANK DIAMETER	.120" (3.05 mm)
SHANK TYPE	Smooth, Ring

### TOOL AIR FITTINGS:

This tool uses a 1/4" N.P.T. male plug. The inside diameter should be .28" (7mm) or larger. The fitting must be capable of discharging tool air pressure when disconnected from the air supply.

### RECOMMENDED OPERATING PRESSURE:

70 to 100 p.s.i. (5 to 7 bar). Select the operating air pressure within this range for best fastener performance.  
**DO NOT EXCEED 120 p.s.i. (8 bar).**

### 4. TECHNICAL DATA

#### ① NOISE

A-weighted single-event ----- LWA, 1s, d 100.48 dB  
 sound power level  
 A-weighted single-event ----- LpA, 1s, d 91.34 dB  
 emission sound pressure  
 level at work station

These values are determined and documented in accordance to EN12549 : 1999.

#### ② VIBRATION

Vibration characteristic value = 3.44 m/s<sup>2</sup>

These values are determined and documented in accordance to ISO 8662-11.

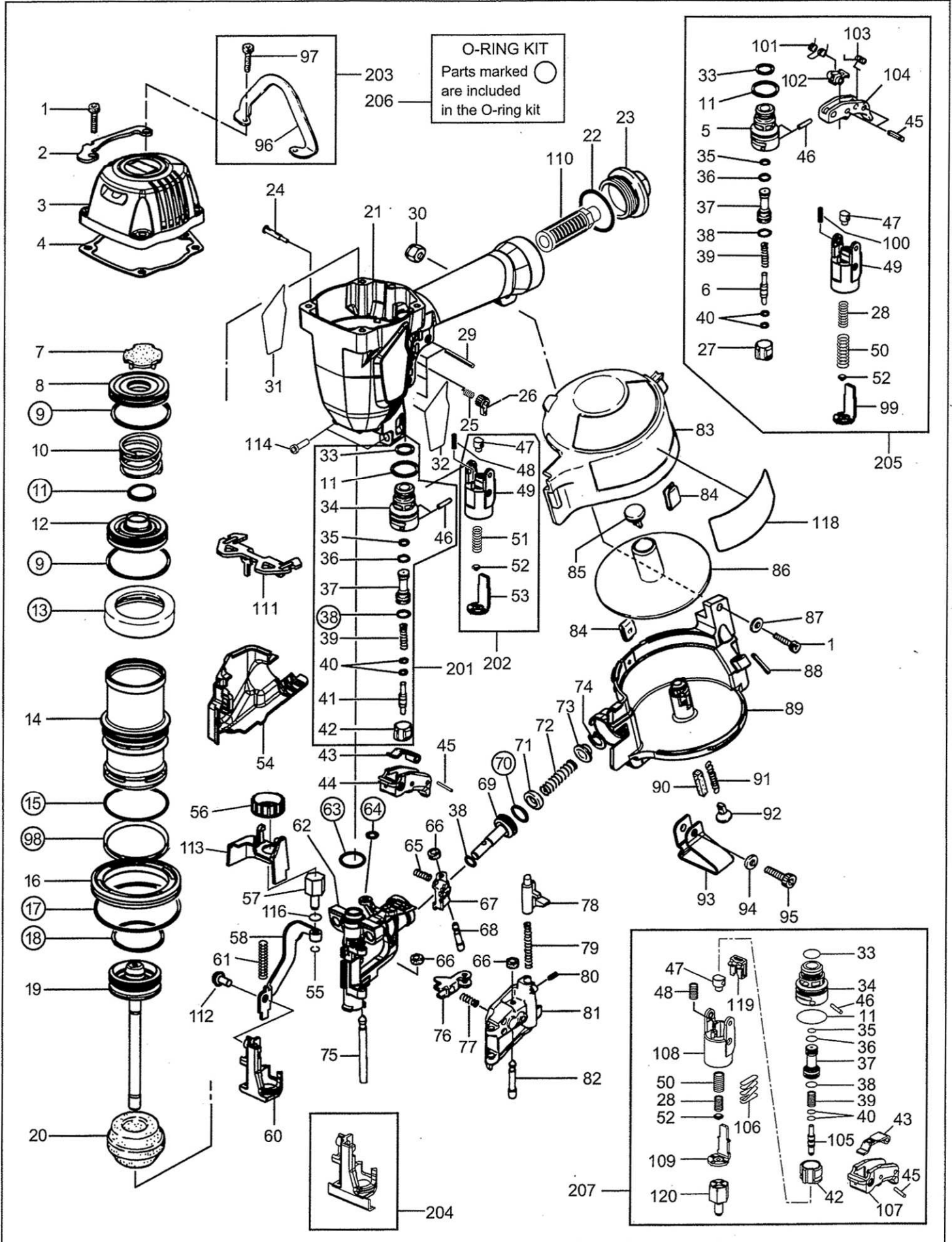
This value is a tool-related characteristic value and does not represent the influence to the hand-arm-system when using the tool. An influence to the hand-arm-system when using the tool will for example depend on the gripping force, the contact pressure force, the working direction, the adjustment of mains supply, the workpiece, the workpiece support.

### 5. APPLICATIONS

- \* Fastening asphalt and fiberglass shingles
- \* Siding installation
- \* Fastening lath wire on the plywood
- \* Wooden box assembly

**EXPLODED  
VIEW AND SPARE  
PARTS LIST**

# CN445R2(CE)



# MAX® CN445R2 Roofing Coil Nailer

ITEM	PART NO	DESCRIPTION	ITEM	PART NO	DESCRIPTION	ITEM	PART NO	DESCRIPTION
1	CN38008	SCREW M6X25	58	CN70456	CONTACT ARM "B"	116	CN37992	O-RING A1.2X4
2	CN37853	PROTECTOR "A"	59			117		
3	CN37191	CYLINDER CAP	60	CN70450	CONTACT FOOT UNIT	118	4009576	CAUTION LABEL
4	CN37855	CYLINDER CAP SEAL	61	KK23150	TORSION SPRING 3150	119	CN35656	LEVER
5	CN31323	TRIGGER VALVE HOUSING	62	CN70458	NOSE UNIT	120	CN37204	CONTACT BOLT
6	CN33723	TRIGGER VALVE STEM	63	CN38001	O-RING 1AP14	201	CN81250	TRIGGER VALVE KIT
7	CN37993	EXHAUST LABEL	64	CN38002	O-RING 1AP5	202	CN81251	ARM GUIDE KIT
8	CN37216	HEAD VALVE GUIDE	65	CN38019	COMPRESSION SPRING 8019	203	CN81156	FRAME HANGER ASSY
9	CN38003	O-RING 1AP48	66	GN12062	RUBBER WASHER 7	204	CN70433	VINYL SIDING KIT
10	CN38020	COMPRESSION SPRING 3934	67	CN37986	FEED PAWL	205	CN81252	S.T. KIT
11	KN12644	O-RING 1AP20	68	CN38024	STEP PIN 8024	206	CN81253	O-RING KIT ASSY
12	CN37217	HEAD VALVE PISTON	69	CN38022	FEED PISTON	207	CN81254	ANTI-DOUBLE FIRE TRIGGER KIT
13	CN37824	CYLINDER SEAL	70	CN38000	O-RING 1AP18			
14	CN38031	CYLINDER	71	CN37998	FEED PISTON STOP			
15	CN38004	O-RING 1AG50	72	CN38016	COMPRESSION SPRING 8016			
16	CN37193	CYLINDER RING	73	CN37995	SPRING COLLAR			
17	CN38005	O-RING 1AG75	74	CN38012	C-RETAINING RING 24			
18	CN38006	O-RING P41	75	CN38023	STRAIGHT PIN 1250			
19	CN70459	MAIN PISTON UNIT	76	CN37994	CHECK PAWL			
20	CN34714	BUMPER	77	CN38017	TORSION SPRING 3349			
21	CN81237	FRAME	78	CN37988	DOOR LATCH			
22	HH12118	O-RING 1AG35	79	CN38018	COMPRESSION SPRING 3402			
23	CN37865	END CAP	80	CN38013	ROLL PIN 3X8			
24	KN12622	TRIGGER LOCK LEVER	81	CN37987	DOOR			
25	KK23507	COMPRESSION SPRING 3507	82	CN38025	STEP PIN 8025			
26	KN12621	TRIGGER LOCK DIAL	83	CN37863	MAGAZINE CAP			
27	CN31346	TIGGER VALVE CAP	84	CN31458	MAGAZINE WEAR CRIP			
28	KK23735	TORSION SPRING 3735	85	CN37428	POST CAP			
29	CN38014	ROLL PIN 3X30	86	CN37823	NAIL SUPPORT			
30	CC49408	LOCK NUT 6	87	EE31104	PLAIN WASHER 1-6			
31	CN37220	NAME LABEL B	88	FF22203	ROLL PIN 4X40			
32	CN37212	NAME LABEL A	89	CN37862	MAGAZINE			
33	KN12643	O-RING 1AP12	90	CN30601	SPACER			
34	KN12636	TRIGGER VALVE HOUSING	91	CN38015	TENSION SPRING 8015			
35	KN12642	O-RING 1AP6	92	CN37383	RECEIVER, SPRING			
36	KN12646	O-RING 1BP7	93	CN37829	SHINGLE GAUGE			
37	CN33627	PILOT VALVE	94	EE11101	PLANE WASHER 2-6			
38	KN12641	O-RING 1AP9	95	CN38007	SCREW M6X22			
39	CN38021	COMPRESSION SPRING 8021	96	CN37206	FRAME HANGER			
40	KN12647	O-RING 1B 1.4X2.5	97	BB40422	SCREW M6X30			
41	CN38030	TRIGGER VALVE STEM	98	CN37991	CHECK VALVE			
42	KN12637	TRIGGER VALVE CAP	99	CN35140	CONTACT ARM "A"			
43	CN35115	CONTACT LEVER	100	KK23282	TORSION SPRING 3282			
44	CN35714	TRIGGER	101	KK33247	TORSION SPRING 3247			
45	FF22402	ROLLPIN 3X16	102	TA16138	S.T.LEVER			
46	KN12660	PARALLEL PIN 2660	103	KK33144	TORSION SPRING 3144			
47	CN38027	ARM GUIDE PIN	104	CN35648	TRIGGER			
48	KK23129	TORSION SPRING 3129	105	CN35128	TRIGGER VALVE STEM			
49	CN37842	ARM GUIDE	106	CN34500	SPRING,LEVER			
50	KK23736	TORSION SPRING 3736	107	CN35001	TRIGGER			
51	KK23653	TORSION SPRING 3653	108	CN35002	CONTACT ARM GUIDE			
52	CN35004	CONTACT BUMPER	109	CN35003	CONTACT ARM "A"			
53	CN37845	CONTACT ARM "A"	110	TA17024	END CAP FILTER KM-23			
54	CN37210	ARM COVER	111	CN37208	PROTECTOR "B"			
55	CN38011	E-RETAINING RING 3.2	112	CN38010	SCREW M6X12			
56	CN37836	ADJUST DIAL	113	CN37211	ADJUST SPACER			
57	CN35006	CONTACT BOLT	114	CN38009	SCREW M8X30			